

## Exhaust filter



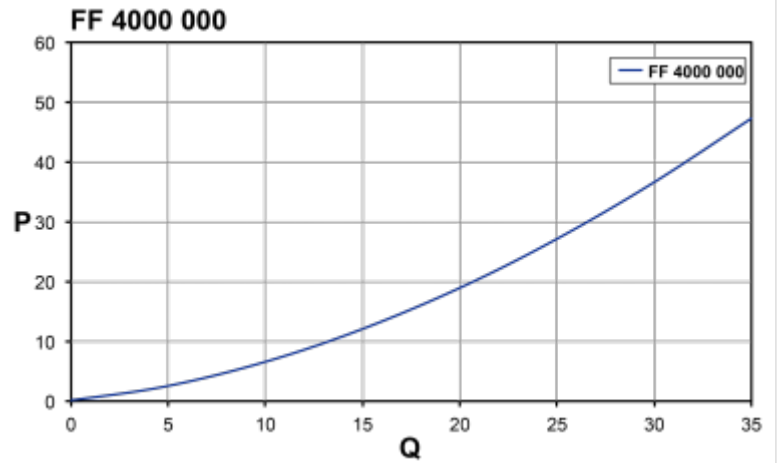
## Description

<b>Order Number:</b>	400000000
<b>Color:</b>	RAL 7035
<b>Housing Material:</b>	ABS Plastic
<b>Ingress protection:</b>	NEMA 12
<b>Optional:</b>	# 4000 00003 black # 4000 00030 NEMA 3R # 4000 00033 black, NEMA 3R
<b>Approvals:</b>	CE, cULus, CSA

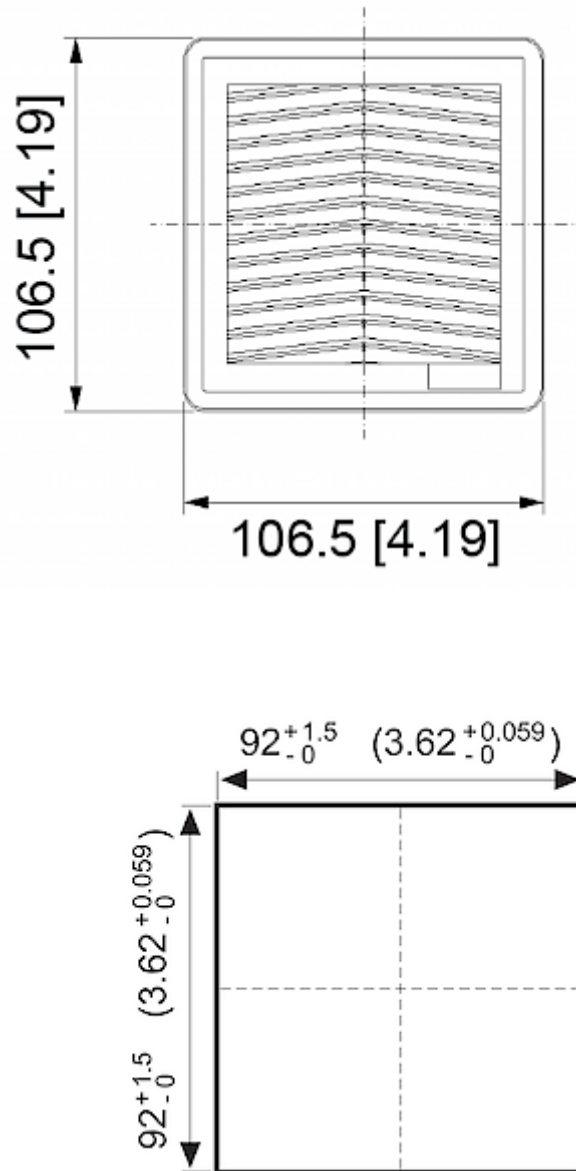
## Technical data

<b>Operating temperature range:</b>	14°F - +131°F
<b>Dimension H x W x D:</b>	4.2 x 4.2 x 0.9 inch
<b>Weight:</b>	0.15 lbs
<b>Cut out dimensions:</b>	3.6 x 3.6 (+0.02) inch
<b>Degree of separation:</b>	85% - DIN 24185
<b>Wall thickness:</b>	0.04 - 0.08 inch
<b>Filter class:</b>	G3 according to EN 779
<b>Installation:</b>	Elastic clips or by 4 self-threading screws

**Air flow:**



**Cut out dimensions:**



## Order Information

<b>With NEMA 3R protection part no.</b>	400000030
<b>Taric code</b>	84145915
<b>GTIN (EAN)</b>	5350604100008