

External temperature sensor



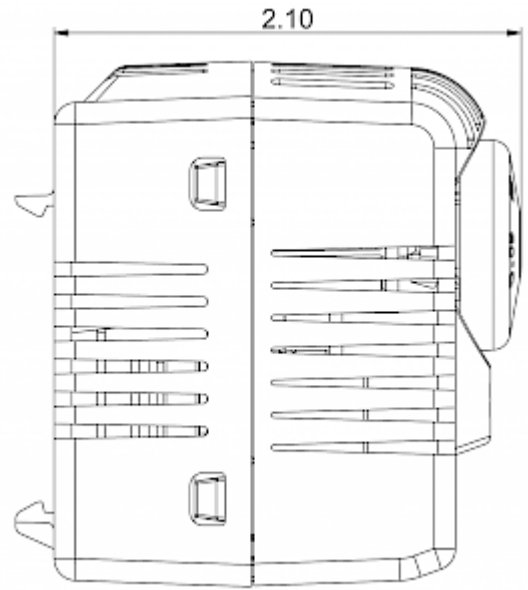
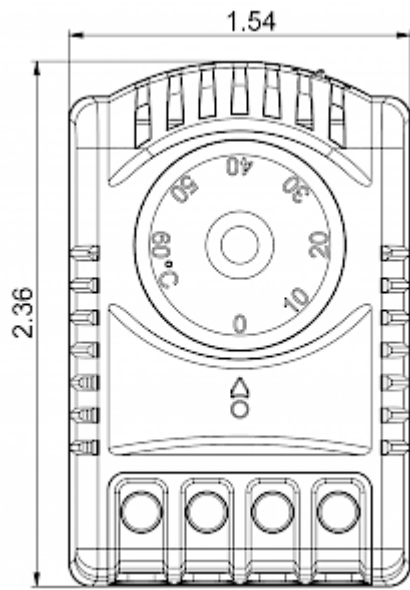
Description

Order Number:	301530
Color:	Grey (RAL 7011)
Housing Material:	PC plastic
Ingress protection:	IP 20
Approvals:	CE
UL File Number:	E358385

Technical data

Operating temperature range:	-49°F - 248°F / 95%
Mounting:	Magnetbefestigung
Dimension H x W x D:	1.82 x 0.71 x 0.5 inch
Weight:	30 gr.
Voltage / Frequency:	24 V DC / 16 A
Lifetime:	100,000 hrs.
Connection:	Connecting cable 71 inch

**Cut out
dimensions:**



Order Information

Zolltarifnummer	90321089
EAN Nummer	5350604010550