

## Electronic thermostat



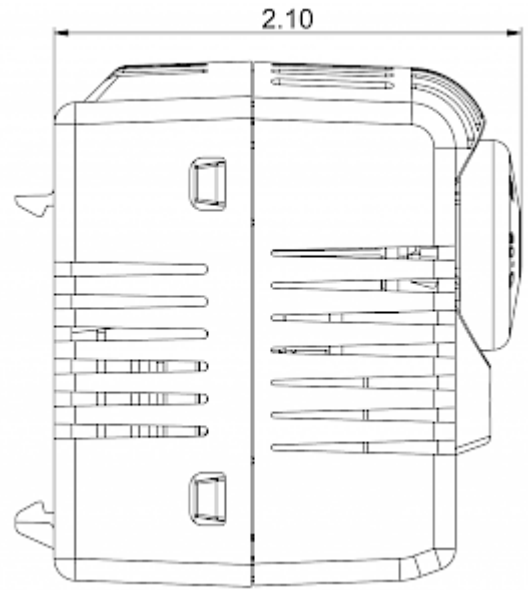
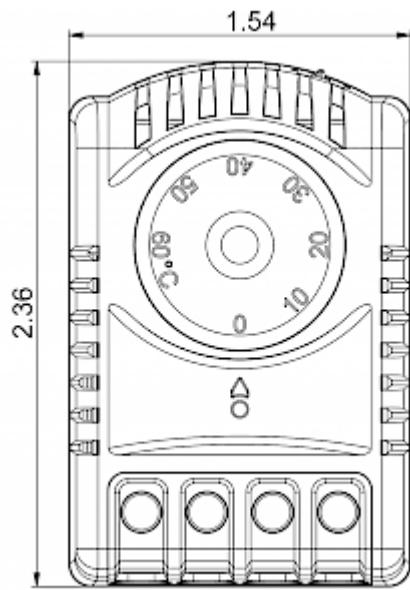
## Description

|                            |                           |
|----------------------------|---------------------------|
| <b>Order Number:</b>       | 301511                    |
| <b>Color:</b>              | Grey (RAL 7011)           |
| <b>Housing Material:</b>   | PC plastic                |
| <b>Ingress protection:</b> | IP 20                     |
| <b>Note:</b>               | Hyst. 3K / Sw. Pt. tol 3K |
| <b>Approvals:</b>          | CE, cURus                 |
| <b>UL File Number:</b>     | E358385                   |

## Technical data

|                                     |  |
|-------------------------------------|--|
| <b>Operating temperature range:</b> | -13 - 158°F / 95% int. sensor<br>-13 - 176°F / 95% ext. sensor |
| <b>Setting range:</b>               | 32°F - 140°F   |
| <b>Mounting:</b>                    | DIN rail 1.38 inch   |
| <b>Dimension H x W x D:</b>         | 2.36 x 1.54 x 2.10 inch  |
| <b>Voltage / Frequency:</b>         | 24 V DC / 16 A   |
| <b>Lifetime:</b>                    | 100,000 hrs.   |

**Cut out  
dimensions:**



## Order Information

|                        |               |
|------------------------|---------------|
| <b>Zolltarifnummer</b> | 90321089      |
| <b>EAN Nummer</b>      | 5350604010512 |