

Thermoelectric dehumidifier



Description

| | |
|--------------------------|-------------------------------|
| Order Number: | 3039303 |
| Brand Name: | SOLIFLEX |
| Color: | Black |
| Housing Material: | PC UL94V-0 |
| Note: | Use a class 2 power unit (UL) |
| Approvals: | CE, cURus |

Technical data

Operating temperature range: 32°F - 149°F

Mounting: Recessed, DIN rail, enclosure floor
Optional wall mounting with mounting frame 1019305

Dimension H x W x D: 6.9 x 5.4 x (2.8 - 2.4) inch

Weight: 4 lbs.

Cut out dimensions: 152 x 117.5 mm

Voltage / Frequency: 24 V DC

Rated current: 2.1 A

Starting current: 3.1 A

Max. current: 2.4 A

Power consumption: 50 W

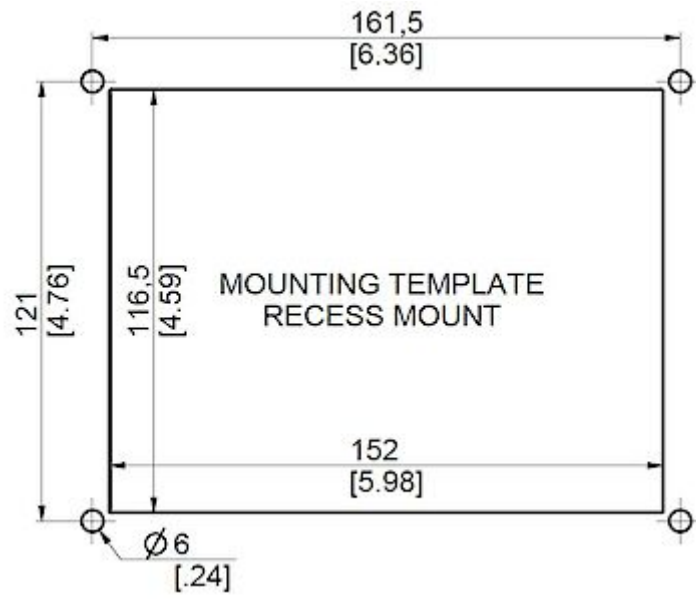
Max. power: 58 W

Fuse: 4 A (T)

Connection: Connection terminal block

Condensation rate: 25 ml/hr

Cut out dimensions:



Order Information

Mit Kondensatpumpe Bestell Nr.

3039309