

Filter Fan



Description

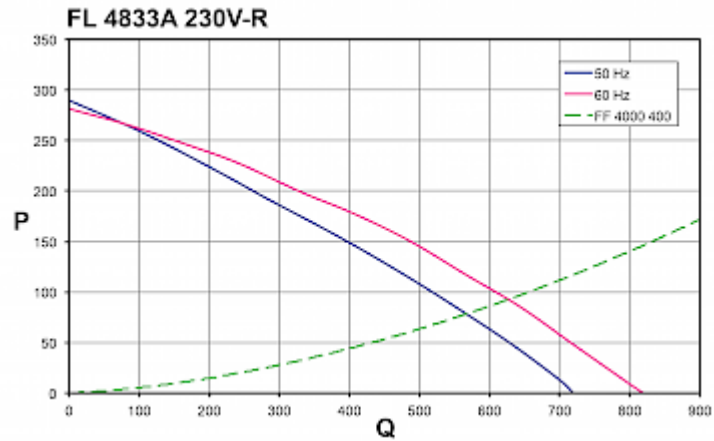
Order Number:	4833A4100
Color:	RAL 7035
Housing Material:	ABS Plastic
Ingress protection:	NEMA 12
Optional:	Different housing colours available on request With NEMA 3R protection part no. 4833A4130
Approvals:	CE, cULus, CSA

Technical data

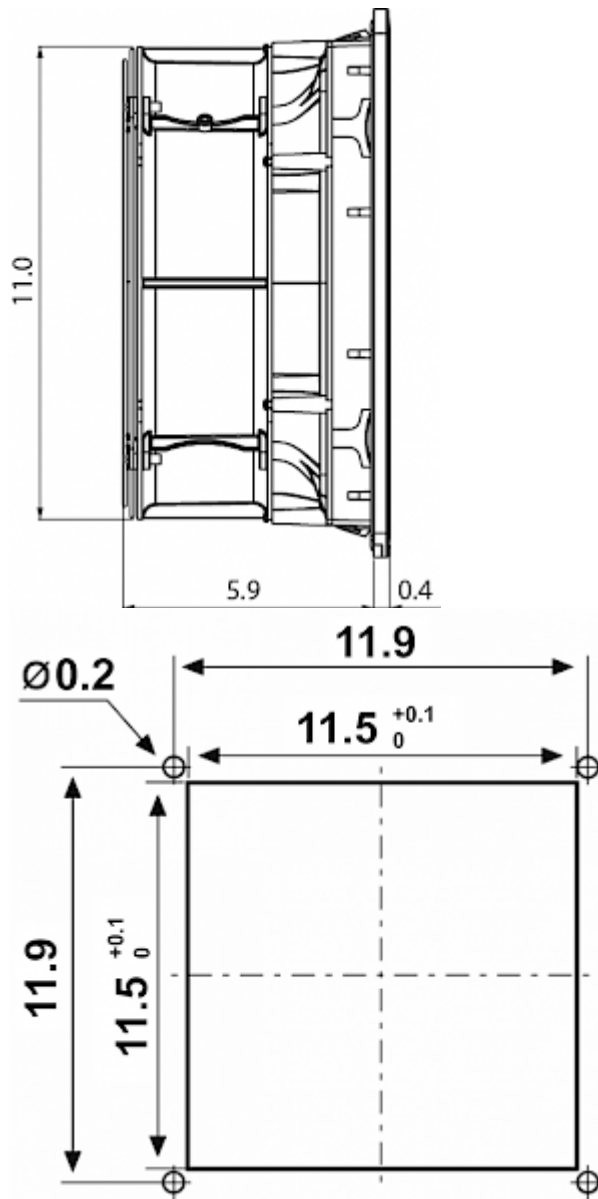
Operating temperature range:	14°F - +131°F
Air volume flow unimpeded:	424 cfm / 483 cfm
Static pressure:	1.16 inH2O @ 50Hz 1.12 inH2O @ 60Hz
Dimension H x W x D:	12.8 x 12.8 x 6.3 inch
Weight:	9.4 lbs
Cut out dimensions:	11.5 x 11.5 (+0.06) inch
Voltage / Frequency:	230 V ~ 50/60 Hz
Rated current:	0.72 A / 0.88 A
Power consumption:	165 W / 205 W
Degree of separation:	85% - DIN 24185
Wall thickness:	0.06 - 0.10 in.
Filter class:	G3 according to EN 779
Installation:	Elastic clips or by 4 self-threading screws
Noise level:	66 dB(A) @ 50 Hz 69.2 dB(A) @ 60 Hz

Air flow:

Q = Air flow [m³/h]
P = Static pressure [Pa]



Cut out dimensions:



Order Information

With NEMA 3R protection part no.	4833A4130
Taric code	84145915
GTIN (EAN)	5350604100671