

Filter Fan



Description

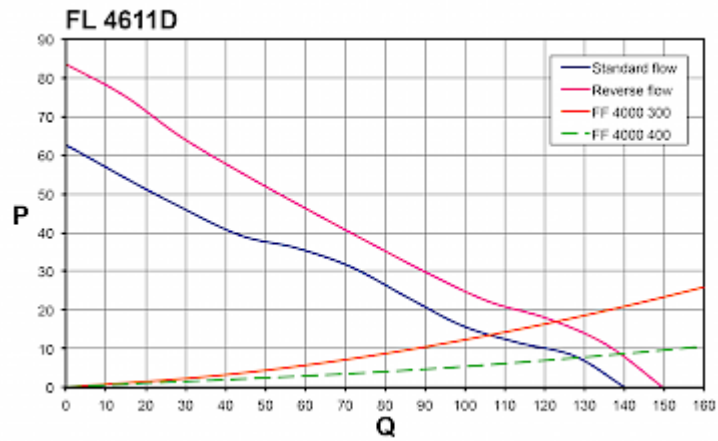
Order Number:	4611D7100
Color:	RAL 7035
Housing Material:	ABS Plastic
Ingress protection:	NEMA 12
Optional:	Different housing colours available on request With NEMA 3R protection part no. 4611D7130
Approvals:	CE, cULus, CSA

Technical data

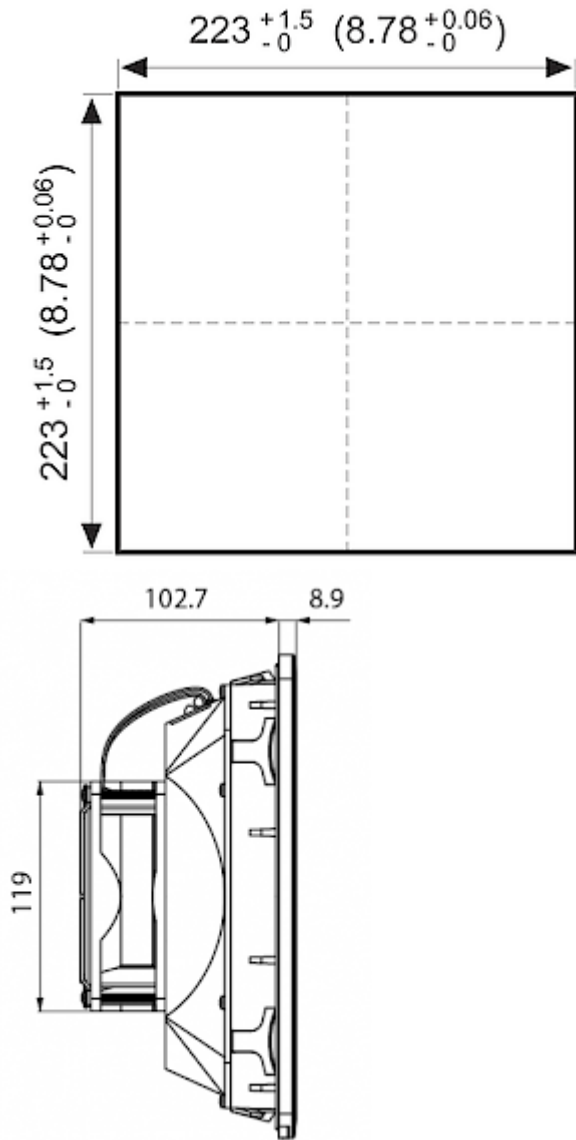
Operating temperature range:	14°F - +131°F
Air volume flow unimpeded:	88 cfm
Static pressure:	0.34 inH2O
Dimension H x W x D:	9.8 x 9.8 x 4.9 inch
Weight:	2.0 lbs
Cut out dimensions:	8.8 x 8.8 (+0.06) inch
Voltage / Frequency:	48 V DC
Rated current:	0.18 A
Power consumption:	8.6 W
Wall thickness:	0.06 - 0.10 in.
Filter class:	G3 according to EN 779
Installation:	Elastic clips or by 4 self-threading screws
Noise level:	42.5 dB(A)

Air flow:

Q = Air flow [m³/h]
P = Static pressure [Pa]



Cut out dimensions:



Order Information

With NEMA 3R protection part no.	4611D7130
Taric code	84145915
GTIN (EAN)	5350604100510