

## Filter Fan



## Description

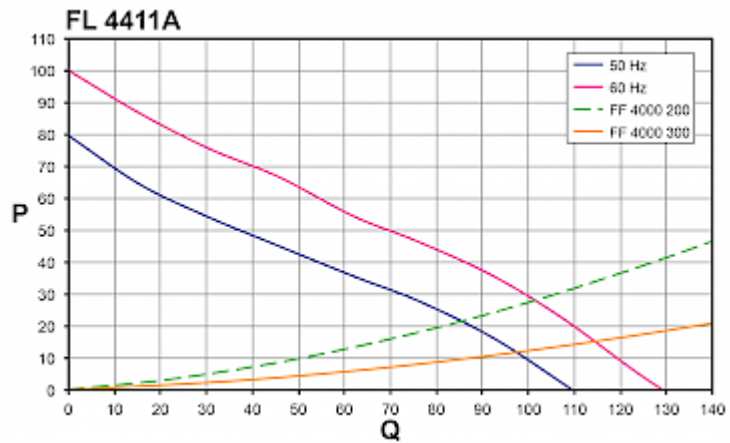
<b>Order Number:</b>	4411A3000
<b>Brand Name:</b>	SOLIFLEX
<b>Color:</b>	RAL 7035
<b>Housing Material:</b>	ABS Plastic
<b>Ingress protection:</b>	Type 12, 3R
<b>Optional:</b>	# 4411A3003 black # 4411A3033 black, NEMA 3R
<b>Approvals:</b>	CE, cURus, cULus, CSA

## Technical data

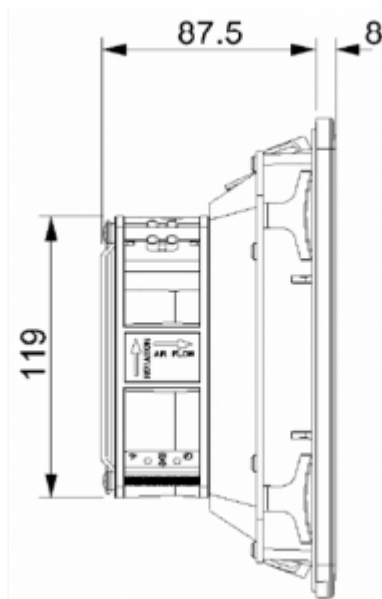
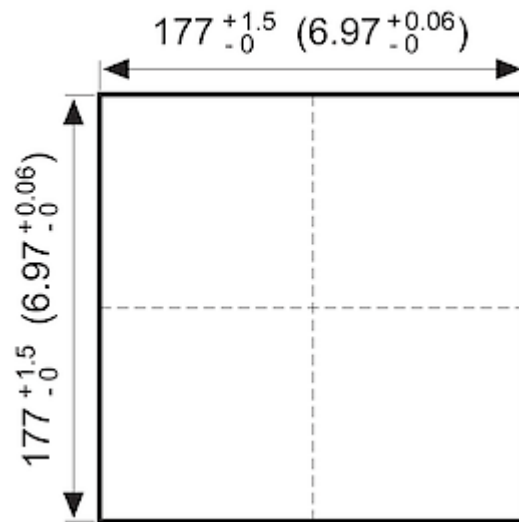
<b>Operating temperature range:</b>	14°F - +131°F
<b>Air volume flow unimpeded:</b>	77 cfm
<b>Static pressure:</b>	0.40 inH2O
<b>Dimension H x W x D:</b>	8.0 x 8.0 x 3.8 inch
<b>Weight:</b>	2.7 lbs
<b>Cut out dimensions:</b>	7.0 x 7.0 (+0.06) inch
<b>Voltage / Frequency:</b>	120 V ~ 60 Hz
<b>Rated current:</b>	0.18 A
<b>Power consumption:</b>	15 W
<b>Degree of separation:</b>	85% - DIN 24185
<b>Wall thickness:</b>	0.04 - 0.08 in.
<b>Filter class:</b>	G3 according to EN 779
<b>Installation:</b>	Elastic clips or by 4 self-threading screws
<b>Noise level:</b>	44 dB(A)

**Air flow:**

Q = Air flow [m<sup>3</sup>/h]  
P = Static pressure [Pa]



**Cut out dimensions:**



## Order Information

<b>In RAL 9005</b>	4411A3003
<b>With NEMA 3R protection part no.</b>	4411A3033
<b>Taric code</b>	84145915
<b>GTIN (EAN)</b>	5350604100350