

## Filter Fan



## Description

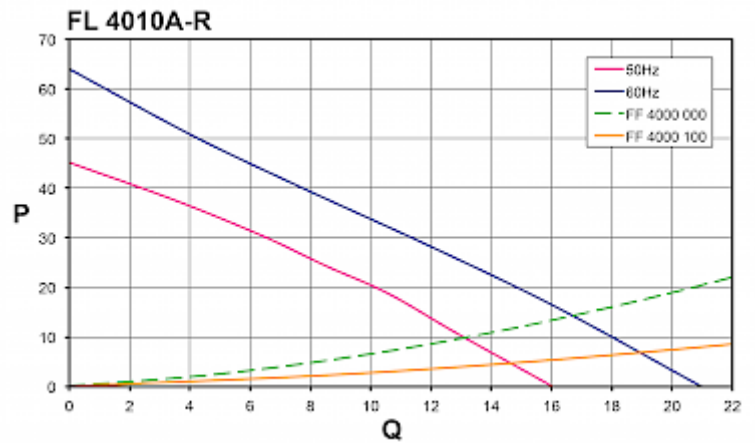
<b>Order Number:</b>	4010A3100
<b>Brand Name:</b>	SOLIFLEX
<b>Color:</b>	RAL 7035
<b>Housing Material:</b>	ABS Plastic
<b>Ingress protection:</b>	Type 12, 3R
<b>Note:</b>	Umgekehrter Luftstrom
<b>Optional:</b>	Different housing colours available on request With NEMA 3R protection part no. 4010A3130
<b>Approvals:</b>	CE, cURus, cULus, CSA

## Technical data

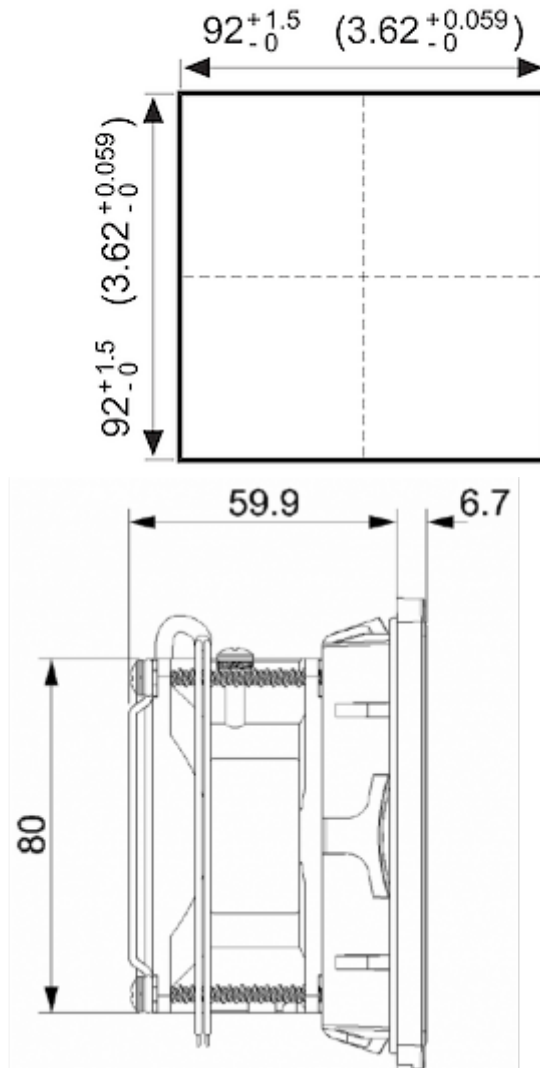
<b>Operating temperature range:</b>	14°F - +131°F
<b>Air volume flow unimpeded:</b>	12 cfm
<b>Static pressure:</b>	0.18 inH2O @ 50Hz 0.26 inH2O @ 60Hz
<b>Dimension H x W x D:</b>	4.2 x 4.2 x 2.6 in.
<b>Weight:</b>	0.86 lbs
<b>Cut out dimensions:</b>	3.6 x 3.6 in.(+0.06)
<b>Voltage / Frequency:</b>	120 V ~60 Hz
<b>Rated current:</b>	0.09 A
<b>Power consumption:</b>	7.5 W
<b>Degree of separation:</b>	85% - DIN 24185
<b>Wall thickness:</b>	0.04 - 0.08 in.
<b>Filter class:</b>	G3 according to EN 779
<b>Installation:</b>	Elastic clips
<b>Noise level:</b>	33 dB(A)

**Air flow:**

Q = Air flow [m<sup>3</sup>/h]  
 P = Static pressure [Pa]



**Cut out dimensions:**



## Order Information

<b>In RAL 9005</b>	4010A3103
<b>Taric code</b>	84145915
<b>GTIN (EAN)</b>	5350604100138