

Twin thermostat NCNC



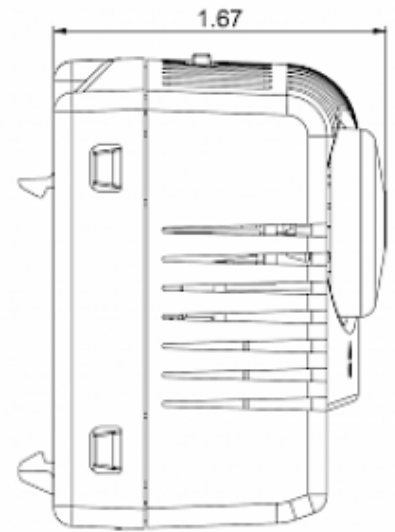
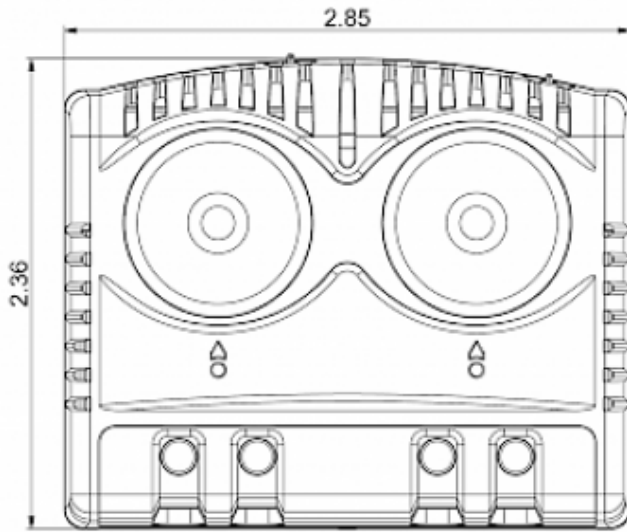
Description

Order Number:	301211
Brand Name:	SOLIFLEX
Color:	Grey (RAL 7011)
Housing Material:	PC plastic
Ingress protection:	IP 20
Note:	Hyst. 7±3K / Sw.Pt.tol ±4K
Approvals:	CE, cURus
UL File Number:	E358385

Technical data

Operating temperature range:	-40°F - 176°F
Setting range:	14°F - 176°F
Mounting:	Clips for DIN rail 1.38 inch
Dimension H x W x D:	2.36 x 2.85 x 1.67 inch
Weight:	~3.89 oz.
Voltage / Frequency:	max. 250 V AC 16 A(res) / 2 A(ind) max. 72 V DC max. 30 W
Lifetime:	100,000 hrs.
Connection:	2-pole terminal (x2), clamping torque 0.5 Nm max. solid wire - AWG 14 max., stranded wire - AWG 16 max.

**Cut out
dimensions:**



Order Information

Zolltarifnummer	90321089
EAN Nummer	5350604010253